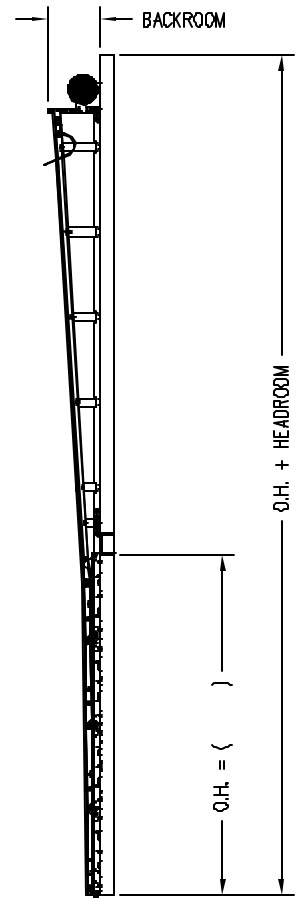
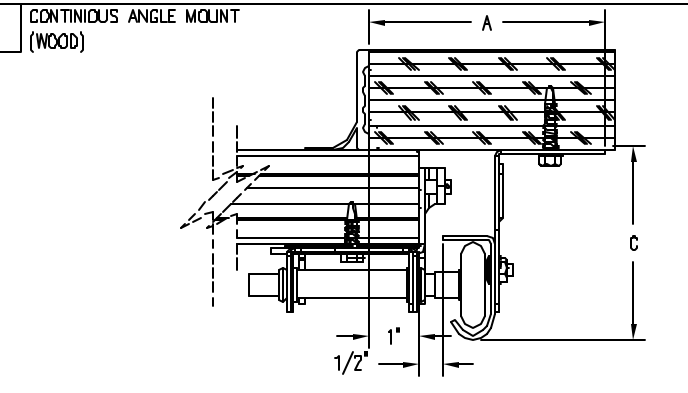
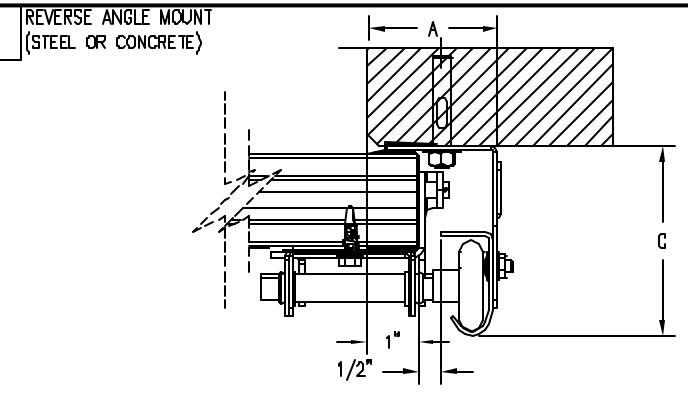


SECTION A-A



SECTION B-B

VL_SHOP



	TRACK	SIDEROOM		SIDEROOM B	
	15" RADIUS	A	C	TUBE AXLE	SOLID SHAFT
REVERSE ANGLE (STEEL/CONCRETE)	2"	3 1/2"	4"	5"	10"
CONTINUOUS ANGLE (WOOD)	2"	4"	4"	5"	10"
REVERSE ANGLE (STEEL/CONCRETE)	3"				
CONTINUOUS ANGLE (WOOD)	3"				
		HEADROOM		BACKROOM	
		Q.H.+20"		VARIES	

MDL.	QTY.	OPENING SIZE		OPERATION	RH	LH	TRACK		OPTION
		WIDTH "W"	HEIGHT "H"				2"	3"	

PROJECT: _____

ARCHITECT: _____

CONTRACTOR: _____

DISTRIBUTOR: _____

DATE: _____ SHEET: _____ OF: _____ BY: _____ REF. # _____

MODELO 2024: SECTIONAL DOOR, VERTICAL LIFT



NOTE: Porvena Doors is not responsible for improper installation procedures, structural backing, and field inspections of the project itself.

APPROVAL SIGNATURE: _____ DATE: _____